

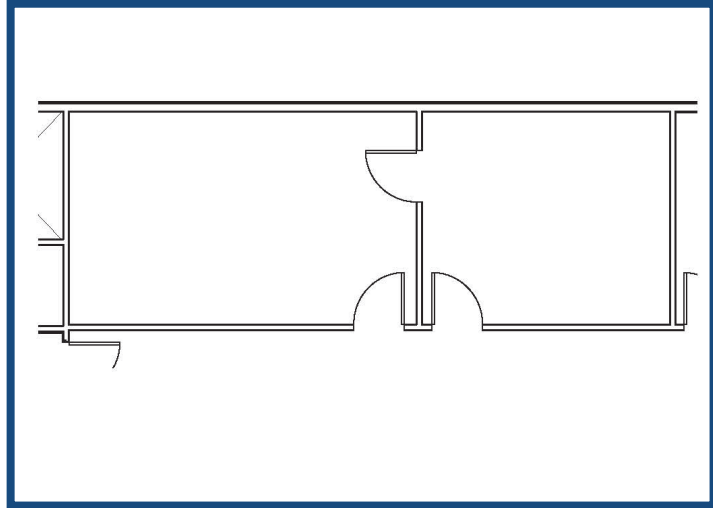
Space for Lease Information:

3945 N. I-10 Service Rd.  
Metairie, LA 70001

Suite: 100H

RSF: 559

Comments: Common Area  
with Kitchenette.



**Contact**

1st Lake Commercial Properties, Inc.  
3925 N. I-10 Service Rd. Suite 130  
Metairie, LA 70002  
855.234.1278 Fax: 504.885.4941  
Licensed in the State of Louisiana

The foregoing is solely for information purposes and is subject to change without notice. Subject to errors, omissions, changes in terms and conditions prior to lease or withdrawal without notice.