

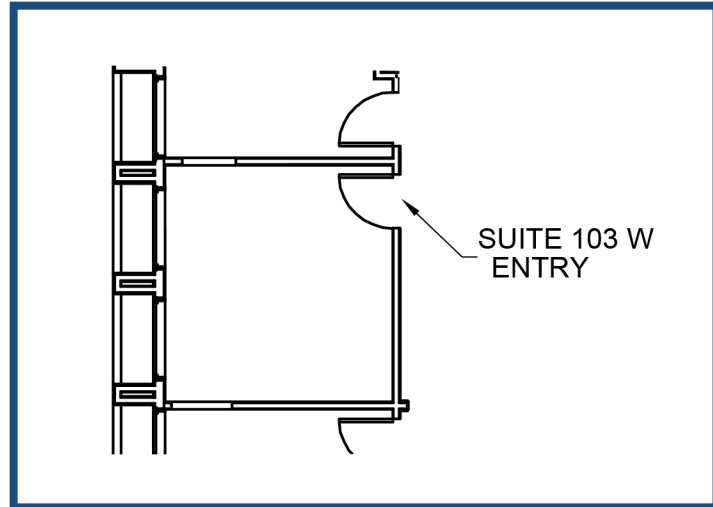
Space for Lease Information:

4300 S. I-10 Service Rd.
Metairie, LA 70001

Suite: 103W

RSF: 163

Comments: One room
office suite with exterior
window view.



Contact

1st Lake Commercial Properties, Inc.
3925 N. I-10 Service Rd. Suite 130
Metairie, LA 70002
855.234.1278 Fax: 504.885.4941
Licensed in the State of Louisiana

The foregoing is solely for information purposes and is subject to change without notice. Subject to errors, omissions, changes in terms and conditions prior to lease or withdrawal without notice.