

**Space for Lease Information:**

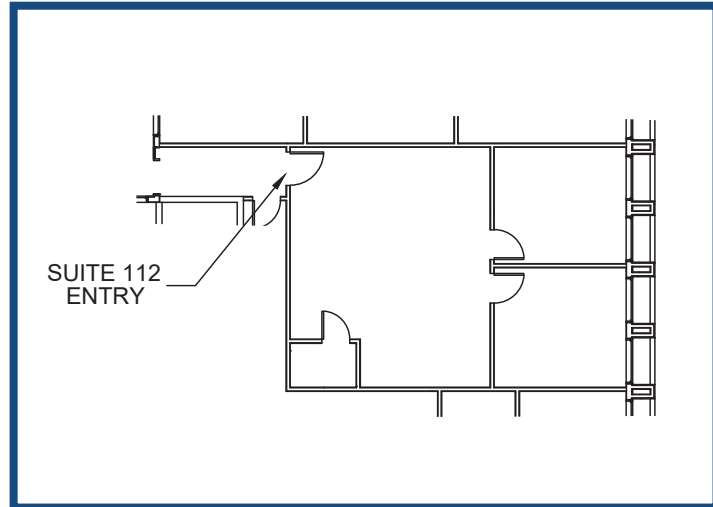
4300 S. I-10 Service Rd.  
Metairie, LA 70001

**Suite:** 112

**RSF:** 771

**Comments:**

Double office suite with  
spacious reception/waiting  
room area.



## Contact

1st Lake Commercial Properties, Inc.  
3925 N. I-10 Service Rd. Suite 130  
Metairie, LA 70002  
504.455.8644 Fax: 504.885.4941  
Licensed in the State of Louisiana

The foregoing is solely for information purposes and is subject to change without notice. Subject to errors, omissions, changes in terms and conditions prior to lease or withdrawal without notice.